

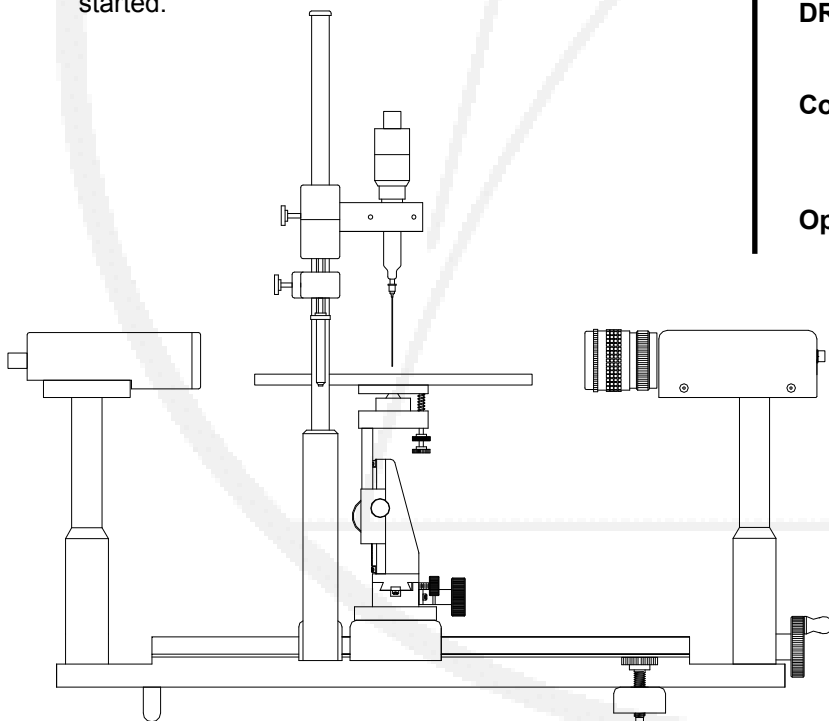
ramé-hart Model 400

Contact Angle Goniometer with Wafer Support and DROPimage Standard Software

ramé-hart Model 400 (p/n 400-F1)

This model has been specifically designed for use with semiconductor thin films and includes 8" rotating wafer support (ideal for 200mm wafers). This tool is invaluable through each step of the semiconductor manufacturing process — from identifying surface contaminants, analyzing primers and coatings, to the quality and uniformity of surface preparations. This tool includes our 21" bench and F1 Series FireWire digital camera. It can easily be upgraded to support larger wafers (up to 12" diameter) or smaller (4").

What's in the box: Goniometer with 21" Bench and F1 Series Camera, 8" Rotating Wafer Support, Microsyringe Fixture, Illuminator and Fiber Optic Bundle, (1) Microsyringe Assembly, (1) 22g Straight Needle, PC System with FireWire interface and LCD, DROPimage Standard Software, User Manual, Calibration Tool, and Storage Cover — everything needed to get started.



Specifications

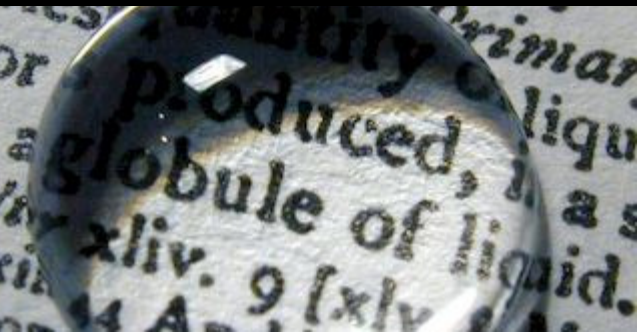
Stage Size	8 in (203mm) diameter
Sample Size	up to 12 in (300mm) x unlimited*
Contact Angle Range	0 to 180°
Resolution	0.1°
Accuracy	+/- 0.10°
Camera	IEEE1394a FireWire, 1/2" CCD, 400Mbps, 60fps, Progressive Scan
Backlighting	Variable Fiber Optic Illuminator
Stage	Precision 3-Axis Locking Leveling
Dimensions	24 x 20 x 10 in (610x500x250mm)
Weight	24 lbs / 11 kg (excluding power)
Power Supply	110 or 220 VAC
DROPimage Features	Contact Angle Measurement (7) Surface Energy Tools
Consumables	Fiber Optic Bulb 100-00-FOB Microsyringe Assembly 100-10-20 Needles 100-10-12-22
Options	Automated Dispensing 100-22 Wafer Support 100-21-x Vacuum Chuck 100-21-VCx Manual Tilting Base 100-25-M Environmental Fixture 100-07-60 Film Clamps 100-15 DROPimage Advanced 500-22

Custom options available.

* requires custom optics and substrate support options for larger samples.

ramé-hart instrument co • www.ramehart.com • carl@ramehart.com • 973-448-0305 • fax 0315

PO Box 400 • Netcong • New Jersey • 07857 • USA



$$\sigma = F(d_s/d_e) d_e^2 g |\rho_1 - \rho_2|$$

